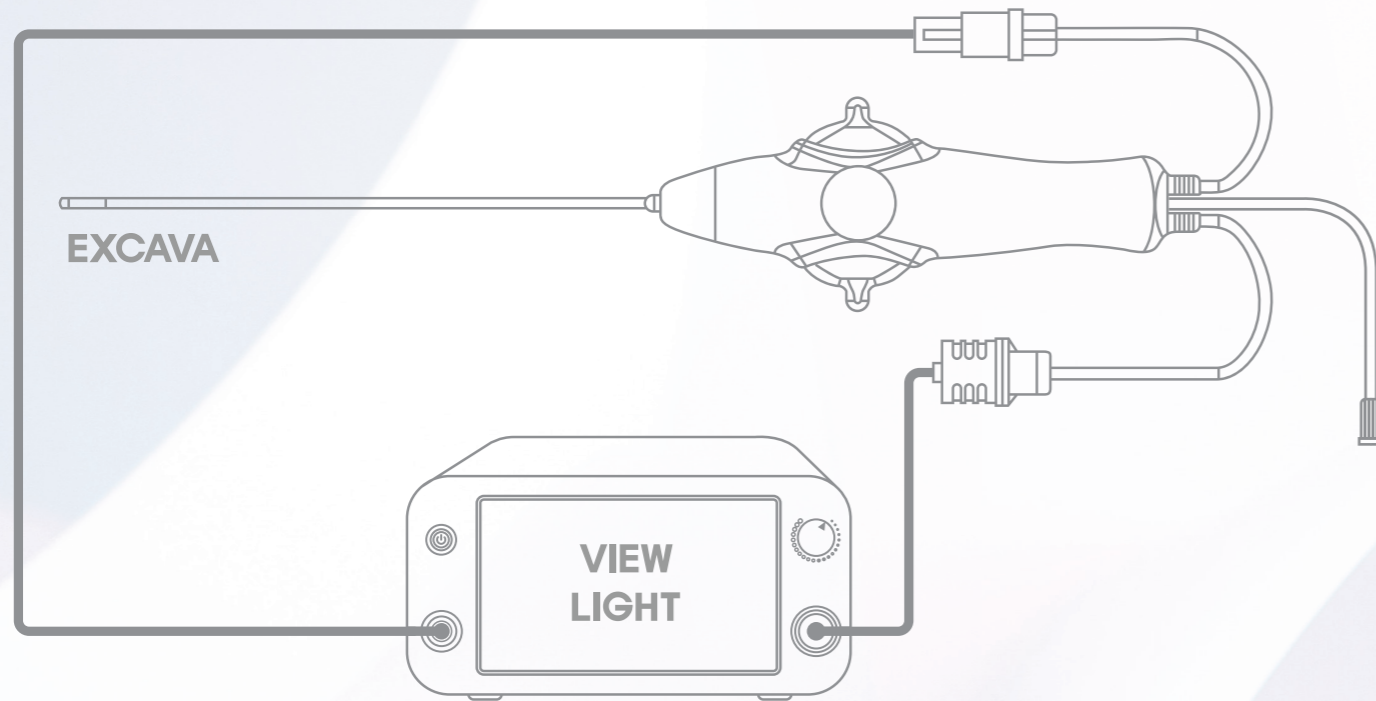


Configuration of EXCAVA



VIEW LIGHT

Specification

Type	Endoscopy Light Sources Device	LCD	Resolution	10.1inch (1200x800 pixel)
Size	330x400x170	Camera	Resolution	160k (400x400 pixel)
Power Supply	Voltage	100-240VAC	Video	2m
	Frequency	50/60Hz	Cable	Fiber Optic
	Power	60W (15A)	Power	1.5m
LED	CCT Range	6500k (Cold white)	Save	USB 2.0
	Brightness	0~100		

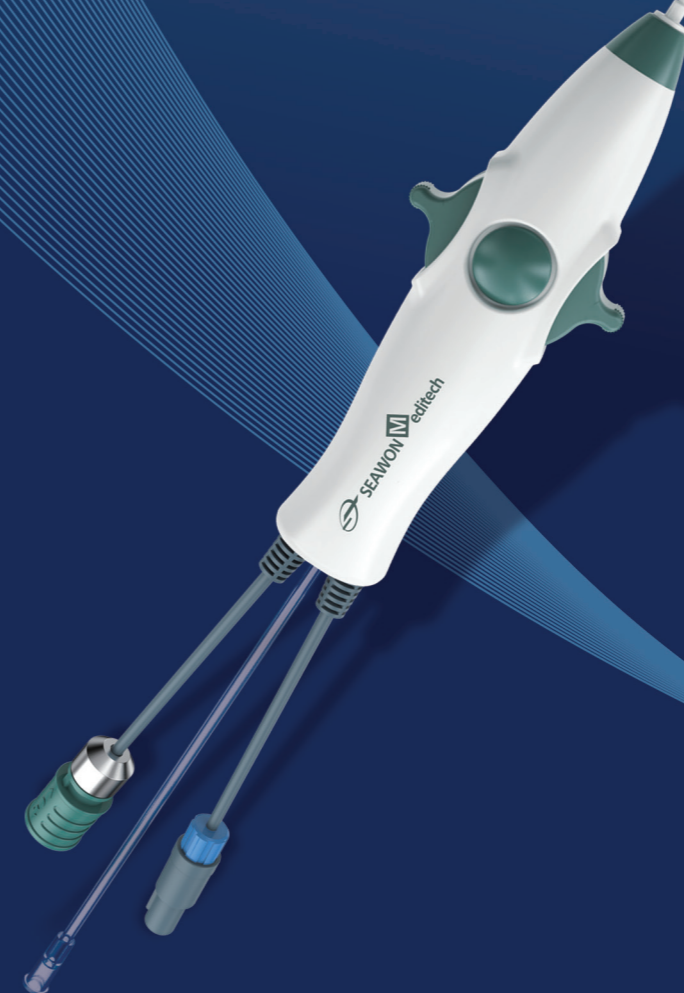
EXCAVA

Steerable Epidural Endoscopic Catheter



160k
(400x400 Pixels)

2.6φ



HOME PAGE

(14487) 33, Bucheon-ro 298beon-gil, Bucheon-si, Gyeonggi-do, Republic of Korea
 TEL +82. 32. 684. 7072 FAX +82. 32. 684. 7075 **HOME PAGE** www.seawonmt.com
 E-MAIL Domestic- jung820@seawonmt.com | Overseas -seawonmt@seawonmt.com

SEAWON editech

EXCAVA

This product is an epidural catheter generally used to inject pain relief drugs into the epidural cavity, and is a medical device combined with an in-body medical camera including a CMOS sensor.

It is a disposable medical device with an epidural needle and a pair of component medical devices used to perforate tissue before inserting the catheter insert into the body.

Power of the in-body medical camera is supplied at 3.3 Vdc from the endoscopic light source device.



All in One



High-Resolution

High Resolution Camera



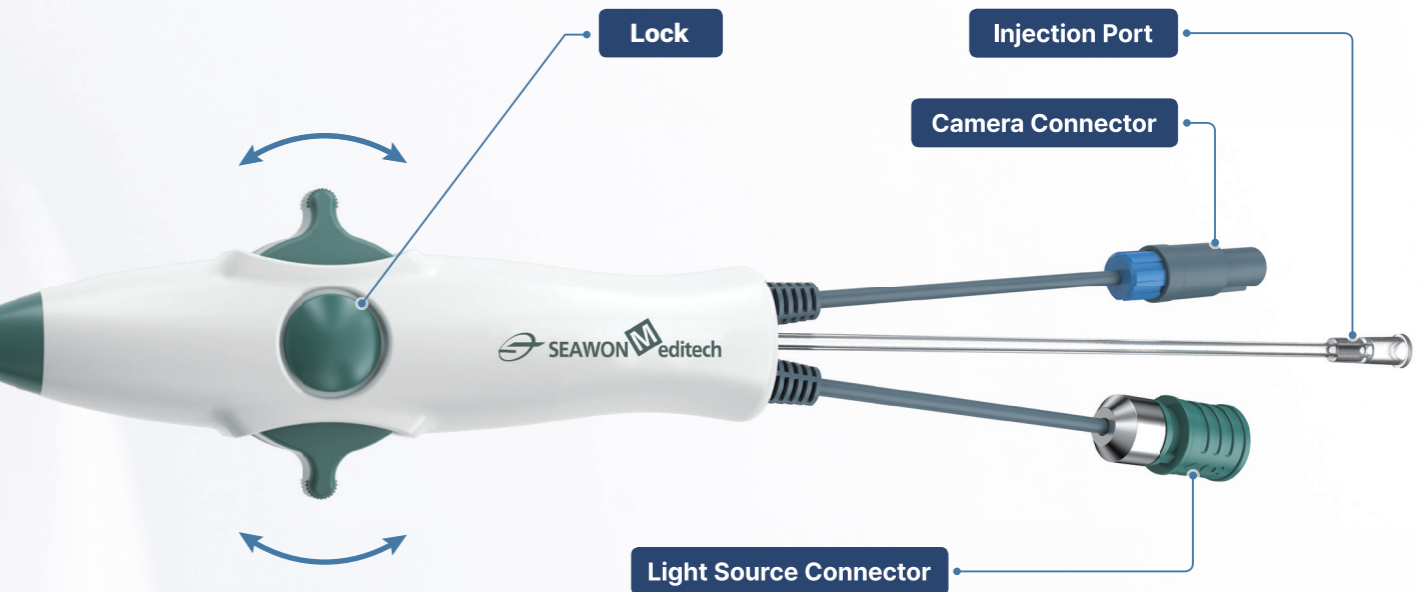
Safe

Minimally invasive
Accurate treatment with visualization and illumination
Provides superior images enabling more safe operation



Easy

Easy-to-use program
Easy-to-use ergonomic design
View device for illumination intensity control



Model Spec

No	Model Name	Catheter	Catheter O.D	Needle
1	SWSD-EP-02	SWSD-EC-02	2.6	SWVP-10P